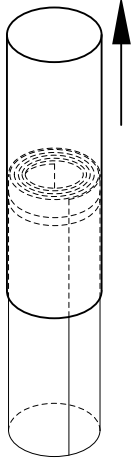
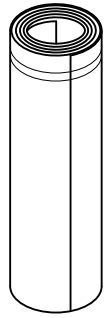




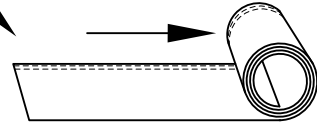
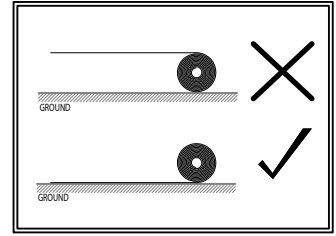
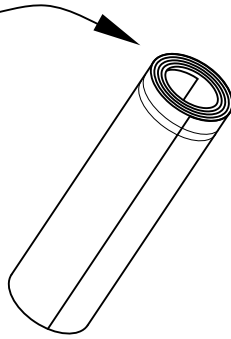
STAND ROLL ON END



REMOVE SLEEVE



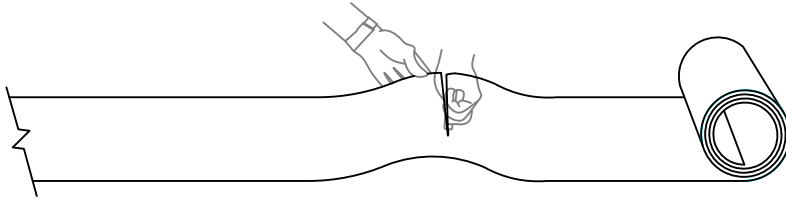
PUT ROLL ON SIDE



UNROLL RAM BOARD LOGO SIDE UP

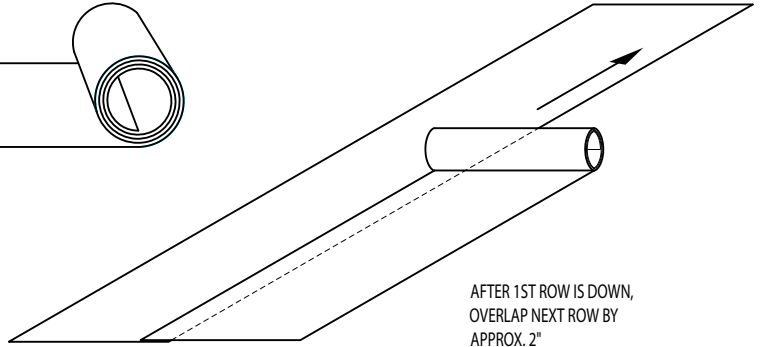
STEP 2

STEP 1



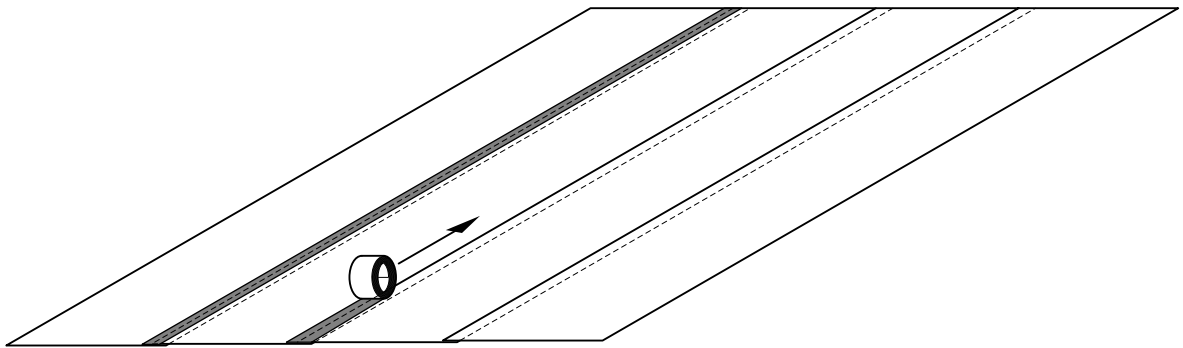
LIFT RAM BOARD UP AWAY FROM FLOOR TO CUT

STEP 3



AFTER 1ST ROW IS DOWN, OVERLAP NEXT ROW BY APPROX. 2"

STEP 4



TAPE SEAMS WITH RAM BOARD SEAM TAPE® OR VAPOR-CURE® TAPE

STEP 5



PRODUCT

RAM BOARD® INSTRUCTIONS